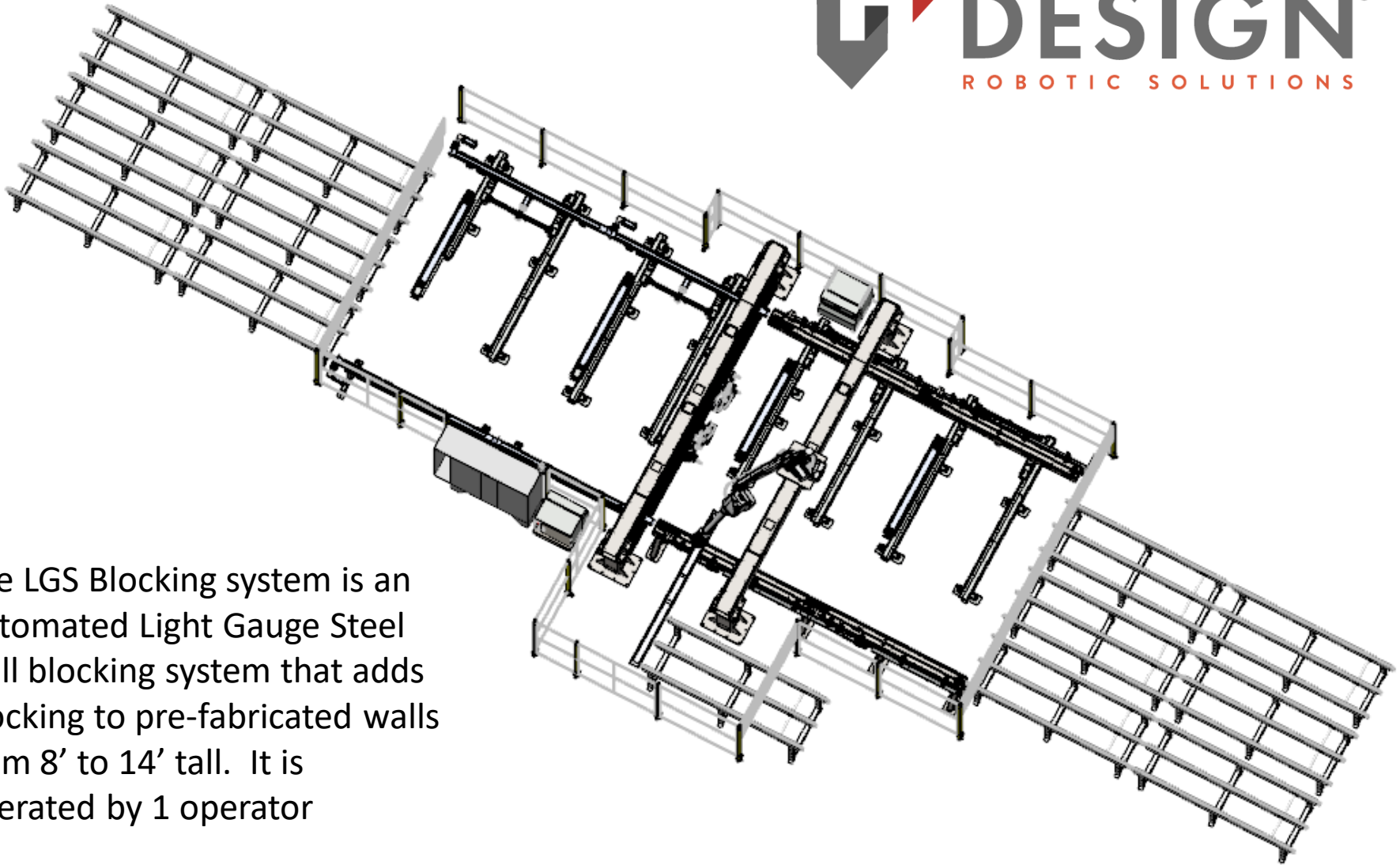
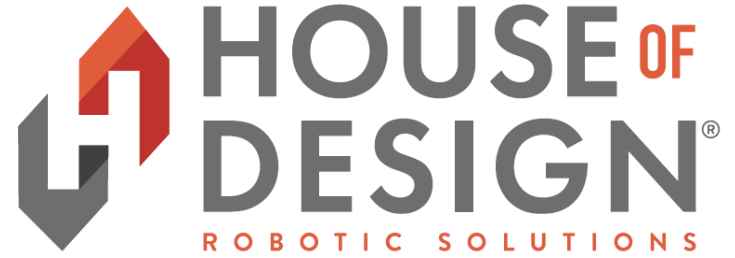
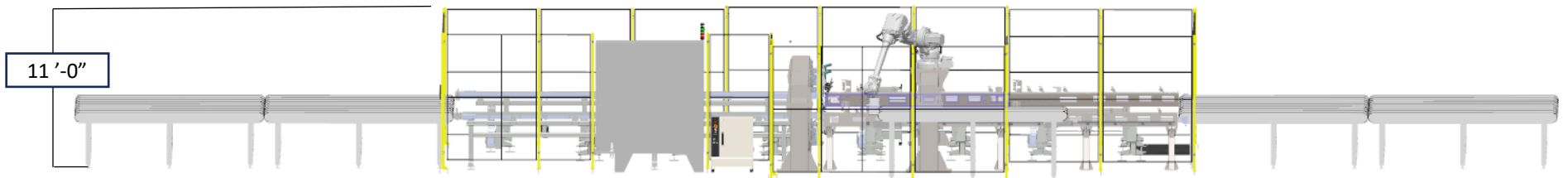
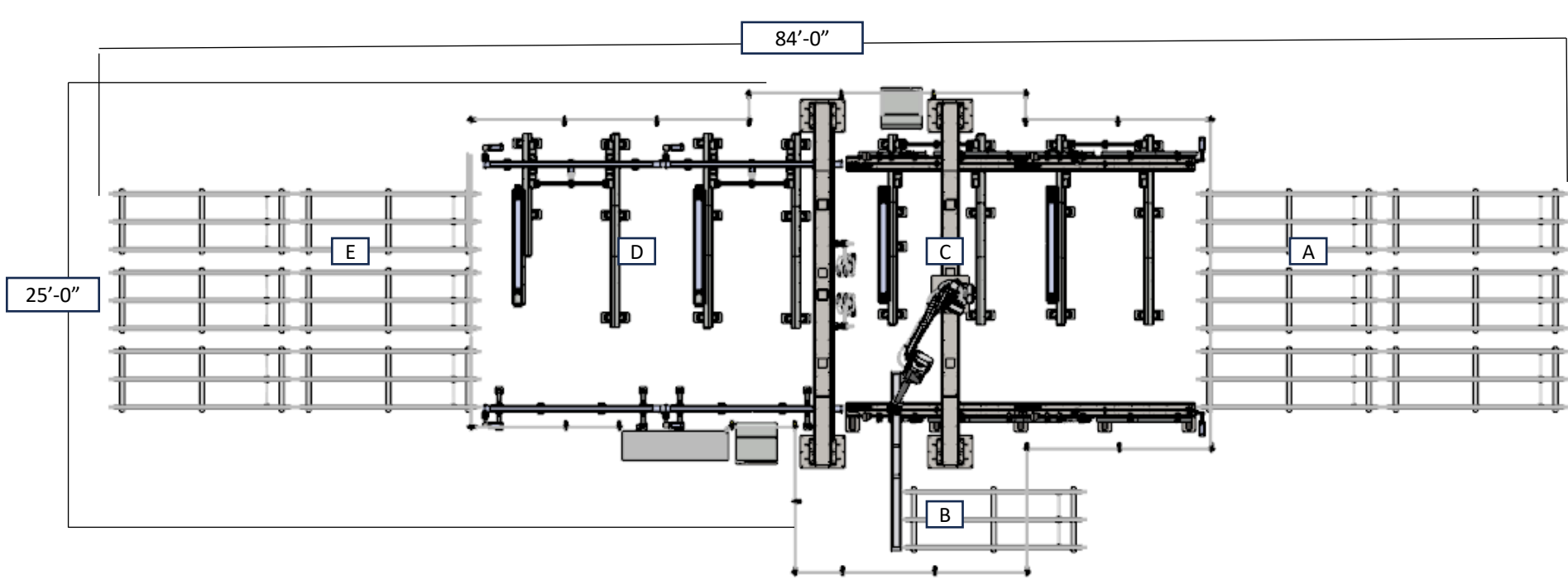


LGS-Blocking



The LGS Blocking system is an Automated Light Gauge Steel wall blocking system that adds blocking to pre-fabricated walls from 8' to 14' tall. It is operated by 1 operator



Area	Part	Qty	Description
Infeed	A	1	Wall Infeed
	B	1	Blocking Infeed
Assembly Area	C	1	Blocking Assembly Robot
	D	1	Extruder
Outfeed	E	1	Wall Outfeed