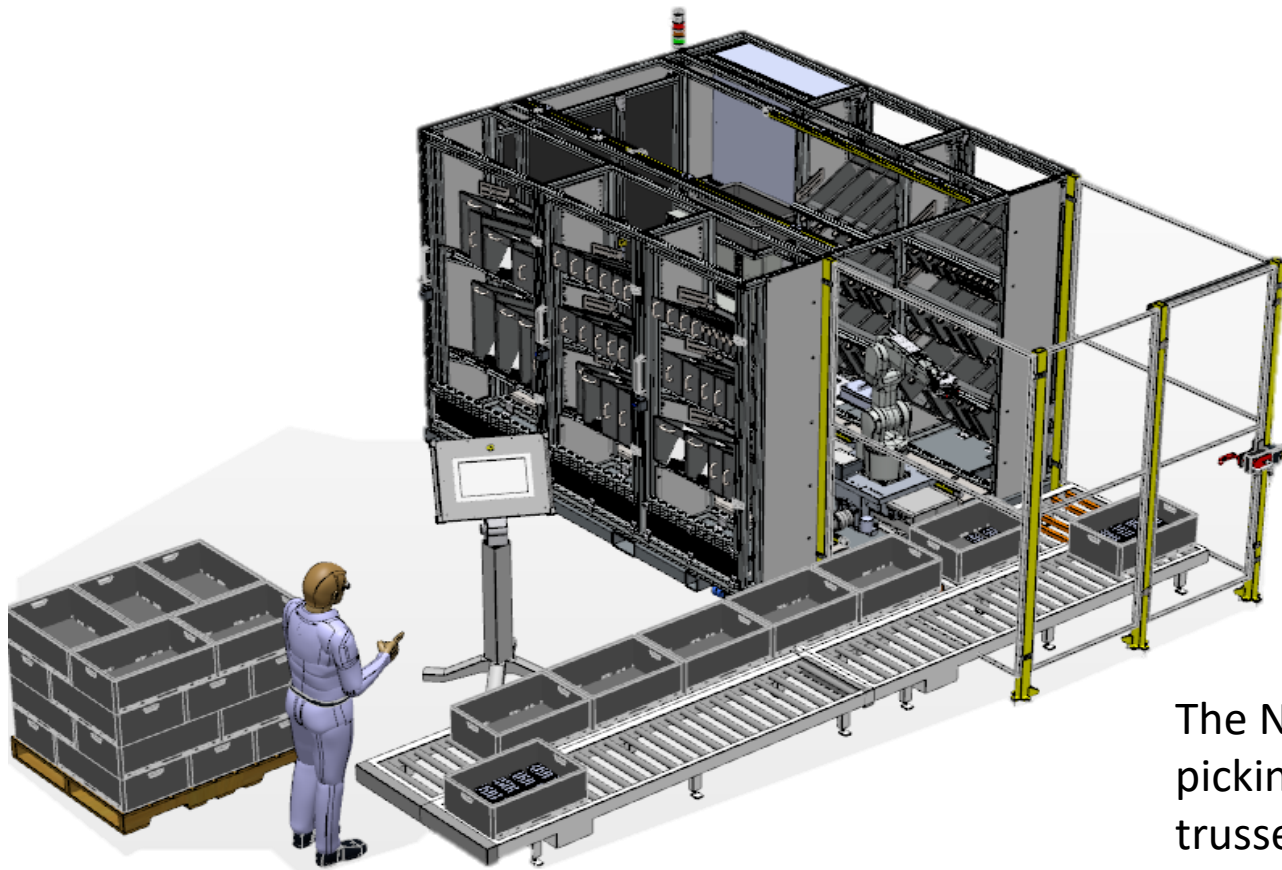
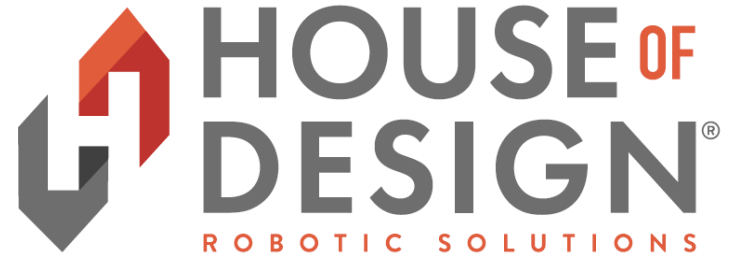
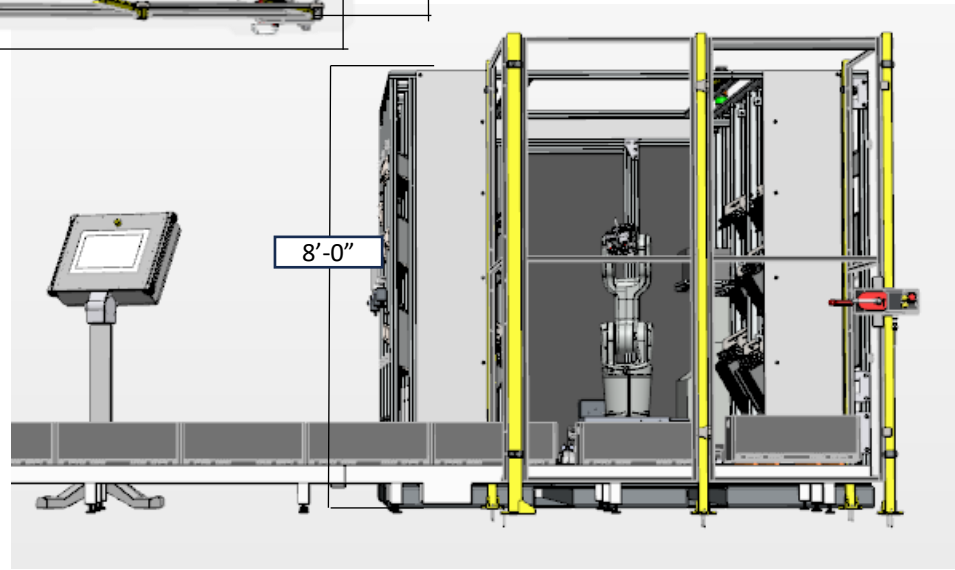
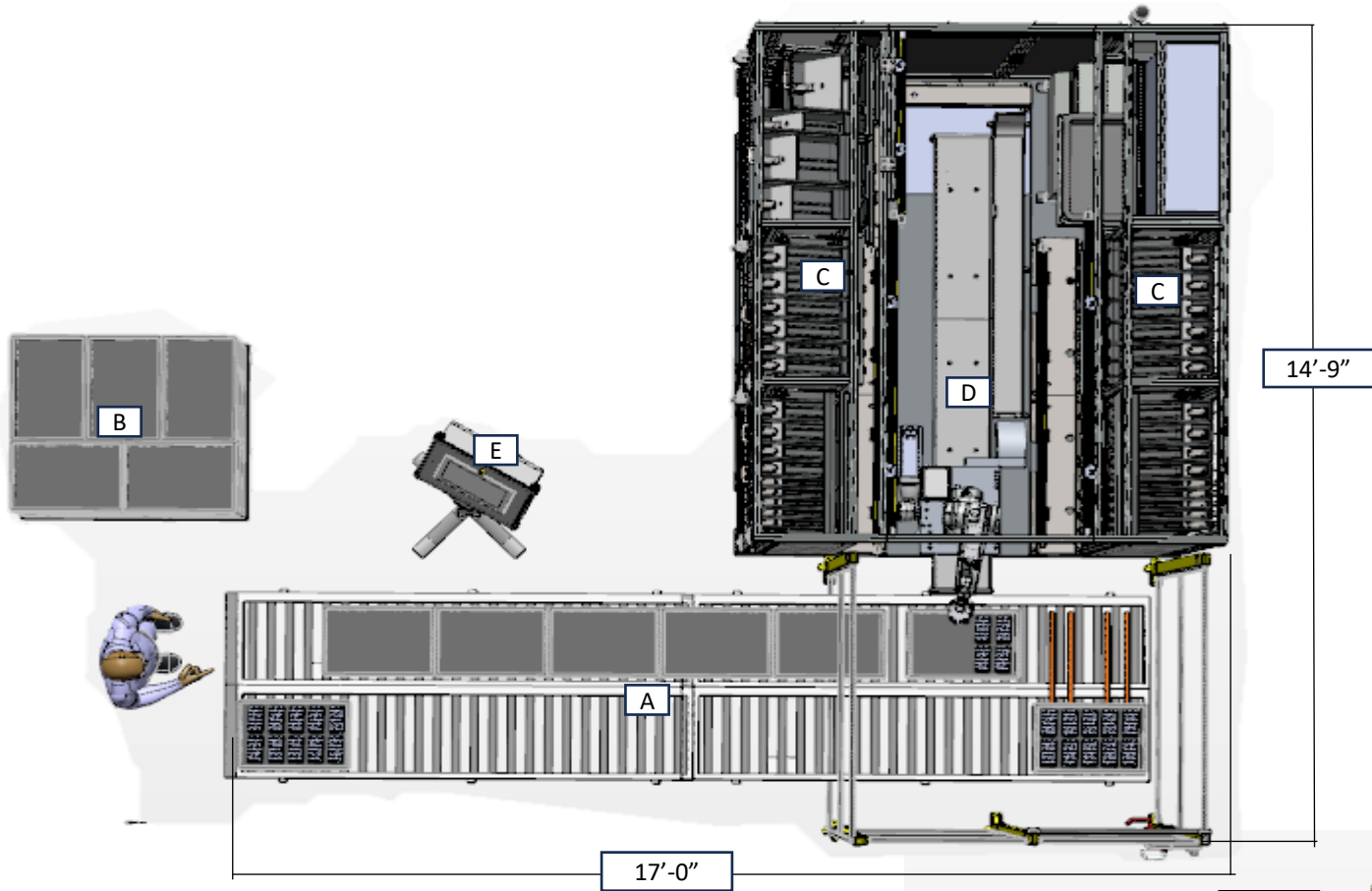


NPP-1000



The NPP-1000 is a nail plate picking cell for roof and floor trusses. It is operated by 1 employee.



| Area | Part | Qty | Description |
|-----------|------|-----|-------------------------------------|
| Infeed | A | 1 | Nail Plate Bin Infeed / Outfeed |
| | B | 15 | Nail Plate Bins |
| Pre-Plate | C | 65 | Nail Plate Magazines |
| | D | 1 | Robot With End of Arm Tool on Track |
| | E | 1 | System HMI |